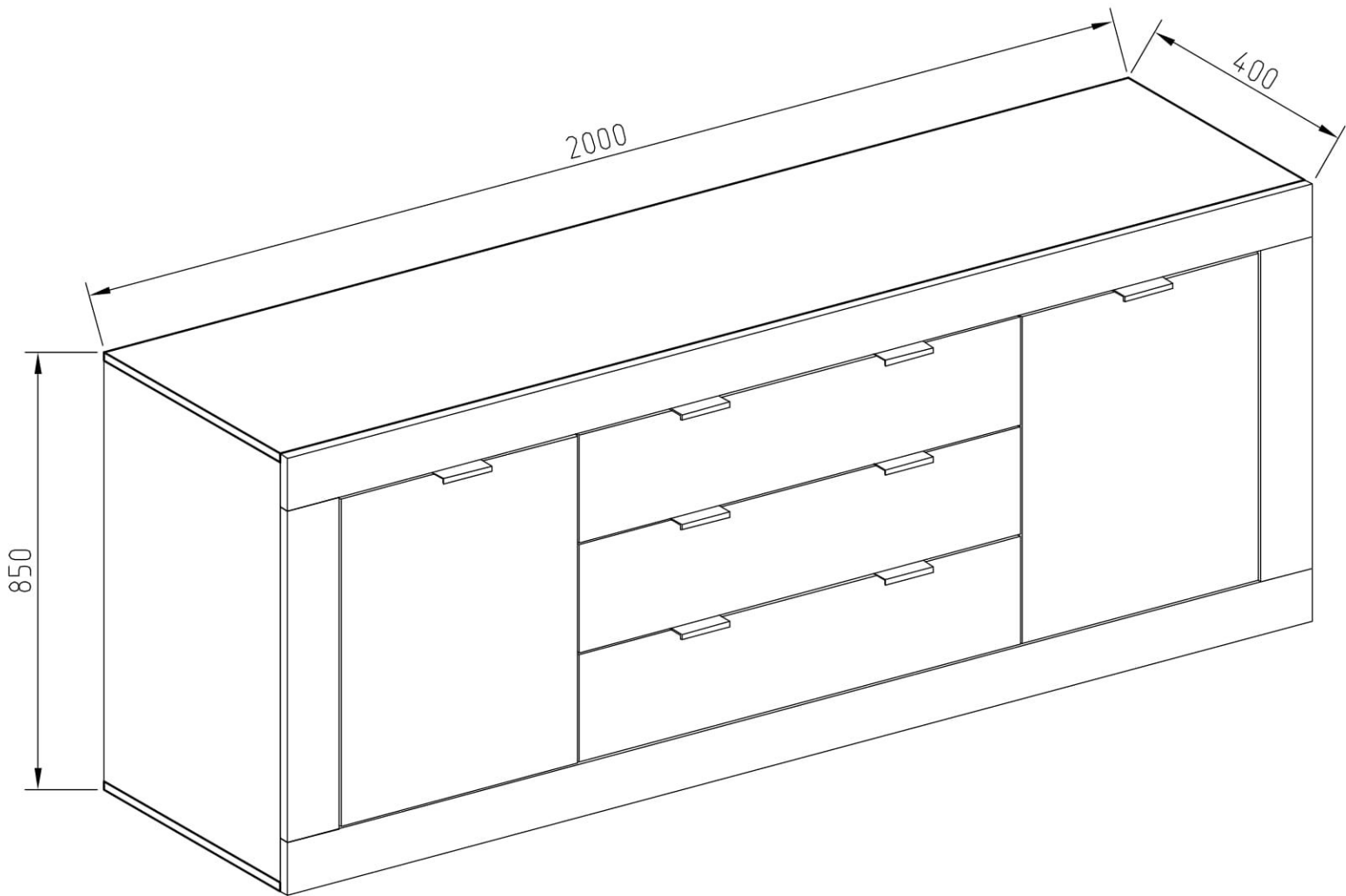
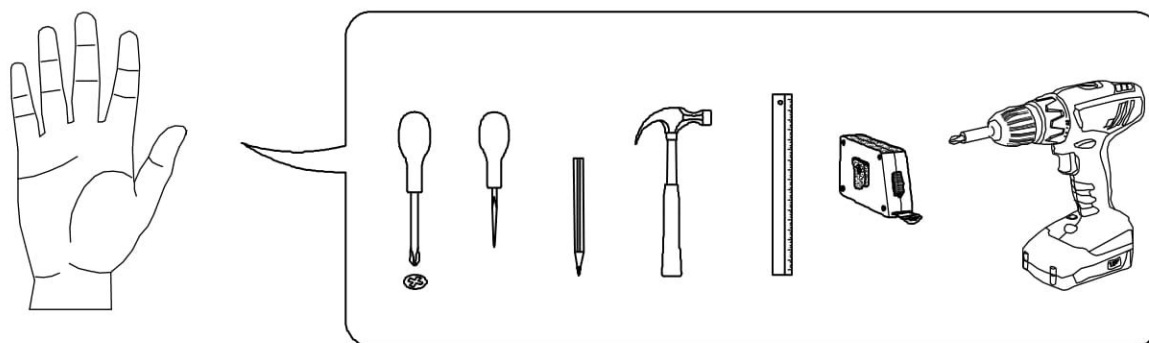




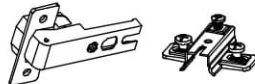

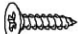
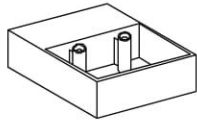






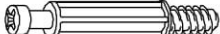


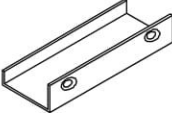
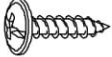




# PRAGA

---

## CHEST OF DRAWERS 2.0





 <b>(M2)</b> 350mm x3	 <b>(E5)</b> 3,5*16mm x24	 <b>(L4)</b> x4
 <b>(F2)</b> 6,3*13mm x8	 <b>(E9)</b> 4*16mm x8	 <b>(K4)</b> x7
 <b>(E10)</b> 4*35mm x14	 <b>(J1)</b> 5*16mm x8	 <b>(B1)</b> 6,3*50mm x12
 <b>(B)</b> $\phi$ 12mm x12	 <b>(A2)</b> 8*50mm x8	 <b>(A1)</b> 8*30mm x28
 <b>(C1)</b> 6*43mm x38	 <b>(D1)</b> 16mm x38	 <b>(D)</b> $\phi$ 20mm x38
 <b>(I32)</b> 64/94 x8	 <b>(Ea2)</b> 4*16mm x16	 <b>(H2)</b> x14
 <b>(O1)</b> x4	 <b>(E3)</b> 3*20mm x4	 <b>(R4)</b> N°4 x1

<b>No</b>	<b>a*b</b>	<b>x</b>
1 L+R	793x384	2
2 L+R	793x370	2
3	2000x384	1
4	2000x384	1
5	542x368	2
6	2000x100	2
7	625x100	2
8	617x462	2
9	203x862	3
10 L+R	350x150	6
11	792x150	3
12	334x100	3
13	343x801	3
14	802x554	2
15	802x865	1

